

22-23
MAY
2024

Conference Programme

Day 1 (22 May 2024)

1

Military EMC & Protection Methods

Gavin Barber
QinetiQ Ltd



09:00 - 09:30

Reverberation chamber for military equipment testing

Sam Patient - QinetiQ Ltd

09:30 - 10:00

High power radio frequency directed energy weapons

Dr Richard Hoad - QinetiQ Ltd

10:00 - 10:30

RF shielding effectiveness measurements

Richard Hardy - AQL Ltd

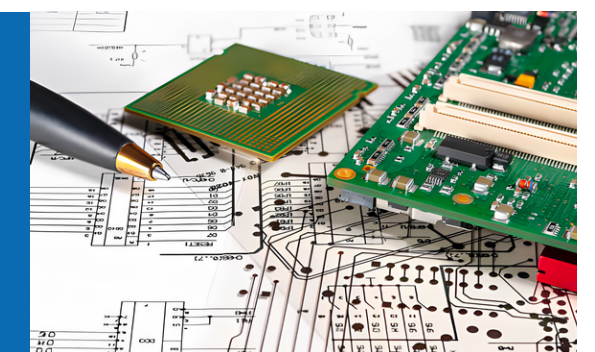
10:30 - 11:00

Coffee/Tea Break in **Exhibitor** Area

2

Design for EMC

James Pawson
Unit 3 Compliance



11:00 - 11:30

Radiated emissions made easy

Francesco Poderico - Neutronix Ltd

11:30 - 12:00

EMC design considerations for ATEX (explosive atmosphere) environments

Peter Rawlinson

12:00 - 12:30

Practical EMC design considerations

Mohamed AlAlami - Würth Electronics

12:30 - 13:00

Lunch Break

13:00 - 13:45

Keynote speaker - new EMC regulations - **Holger Urban** from **Schaffner**

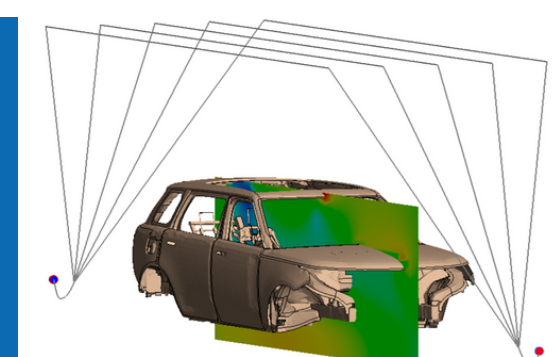
13:45 - 14:00

Demo & Hands-on

3

EMC Simulations

Dr Tamara Monti
Dassault Systèmes



14:00 - 14:30

Vehicle RF filters - simulation and measurement

Dr Chris Davenport - Jaguar Land Rover

14:30 - 15:00

Echoes in a Biscuit Tin

Dr Graham Robert - Leonardo

15:00 - 15:30

Introduction to EMC Simulation

Dr. Sajid Asif - DASSAULT SYSTEMES

15:30 - 16:00

Coffee/Tea Break in **Exhibition** Area

16:00 - 18:00

Social Events and IEEE Talk

www.emcandci.com

Dubai Duty-Free Grandstand, Newbury Racecourse, Newbury, Berkshire, RG14 7NZ

22-23
MAY
2024

Conference Programme

Day 2 (23 May 2024)

4

EMC Systems and Installations

Prof. Ian Macdiarmid



09:00 - 09:30 An investigation into low level swept current (llsc) testing on land vehicles
Michael Airey

09:30 - 10:00 Electromagnetic Challenges in Naval Platform Topside Design - A Prime Integrator's Perspective and Approach
Jon Burbage - BAE systems

10:00 - 10:30 Model-based engineering is not "no testing"
Prof. Chris Jones - BAE Systems Air

10:30 - 11:00 Coffee/Tea Break in **Exhibiton** Area

5

Design for EMC

Wil Corker
bp pulse



11:00 - 11:30 First time success!
Tom Reeve - bp pulse

11:30 - 12:00 Inside the approvals lab!
Greg Child - BSI

12:00 - 12:30 EMC reality!
Marc Hudson - Ransomes Jacobsen

12:30 - 13:00 Lunch Break

13:00 - 13:45 Keynote speaker - EMC Testing Essentials - *James Pawson*

13:45 - 14:00 Demo & Hands-on

6

EMC for Electrification

Dr Oskari Leppäaho
Danfoss Drives



14:00 - 14:30 A technical review of EMI filters for electrification
Dr Min Zhang - Mach One Design

14:30 - 15:00 Common mode voltage management in electrification solutions
Dr Oskari Leppäaho - Danfoss Drives

15:00 - 15:30 Railway EMC and safety assurance
Simon Price

15:30 - 16:00 Coffee/Tea Break in **Exhibition** Area

16:00 - 18:00 Social Events and IEEE Talk

www.emcandci.com

Dubai Duty-Free Grandstand, Newbury Racecourse, Newbury, Berkshire, RG14 7NZ